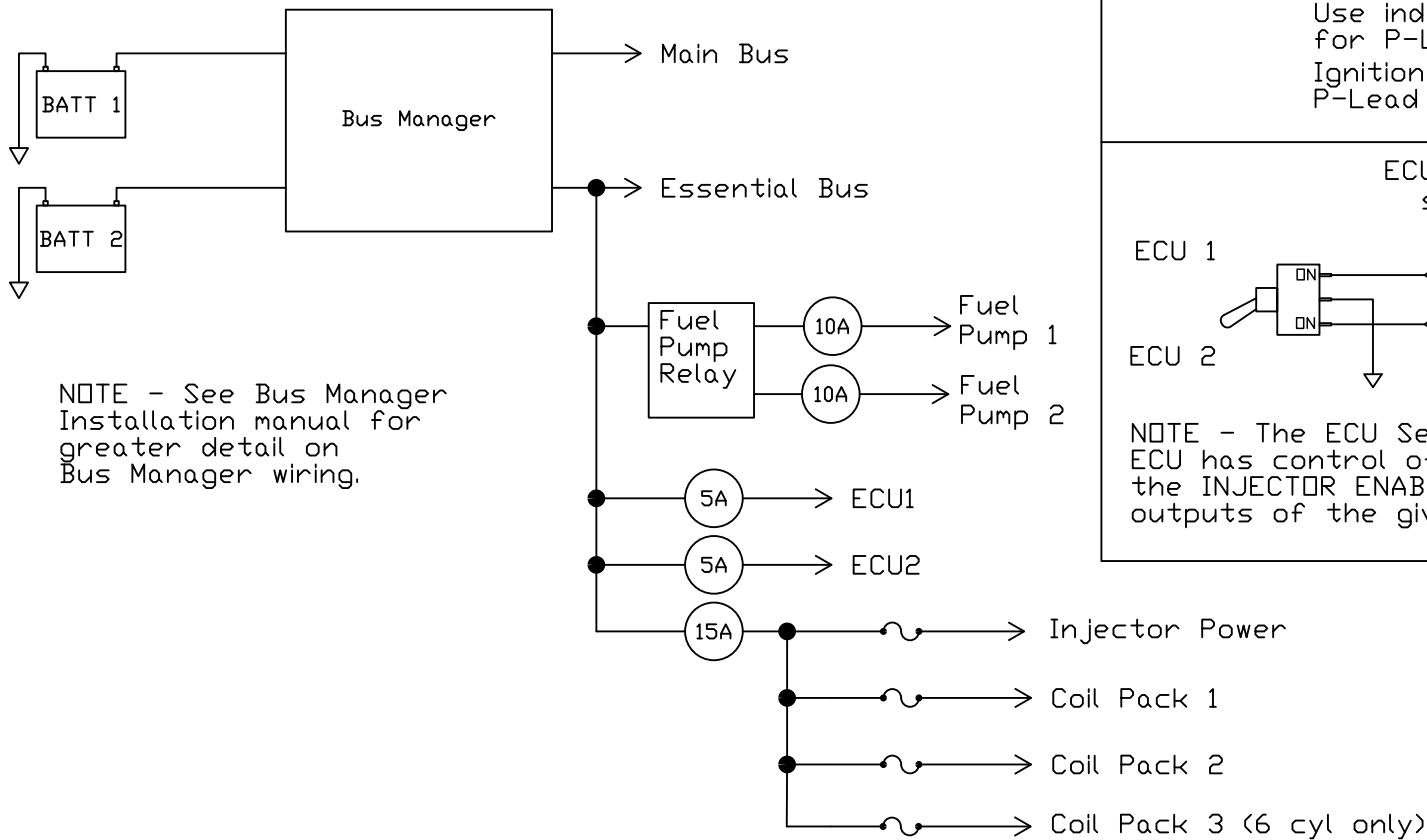


# EFII System32 Power Wiring

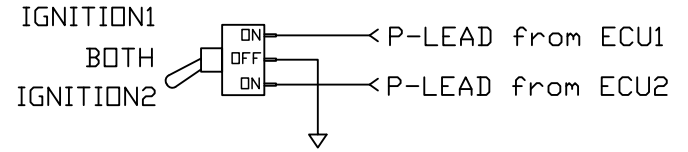
(4 and 6 cylinder installations)



NOTE - See Bus Manager Installation manual for greater detail on Bus Manager wiring.

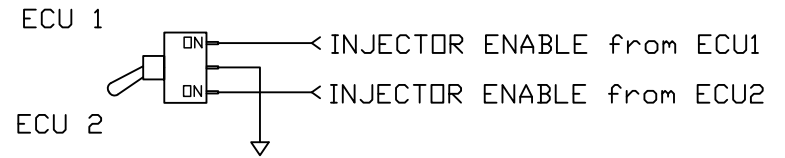
NOTE - System32 wire harnesses include individual fusible links within the harness for each coil pack power lead and each injector power lead. Fusible links are located within the backshells of the engine side circular connectors of the harness.

Ignition Run-up switch



NOTE - Run-up switch option2 - Use individual ON/OFF switches for P-Lead function (2 required). Ignition kill is active when P-Lead is grounded.

ECU Select switch



NOTE - The ECU Select switch, determines which ECU has control of the fuel injectors. Grounding the INJECTOR ENABLE wire, disables the injector drive outputs of the given ECU.