

# System32 ECU dimensions

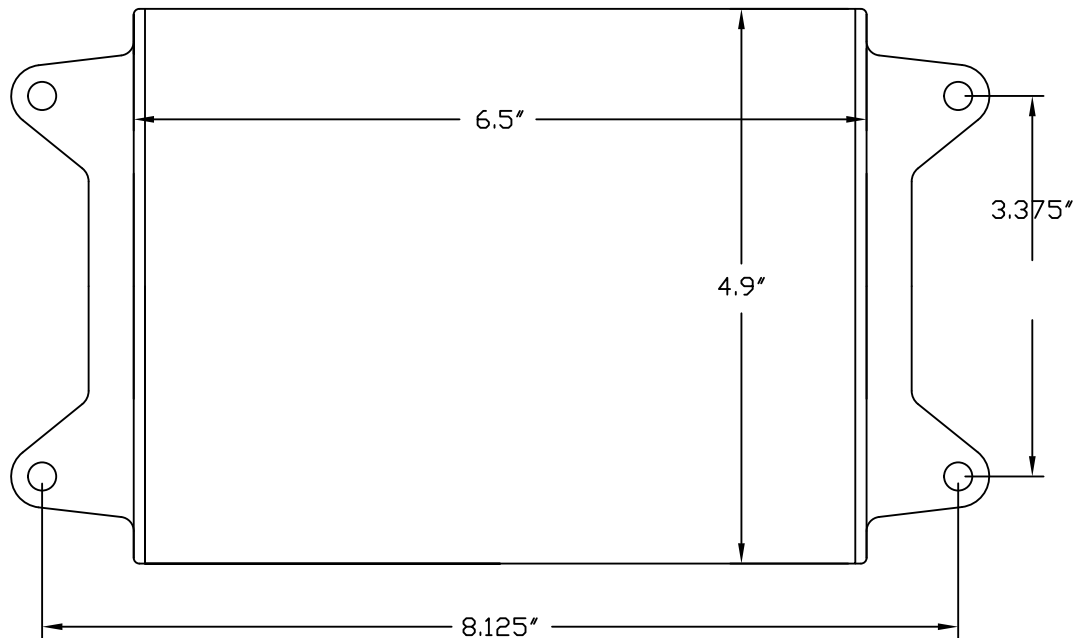
## Circular firewall bulkhead connector dimensions

rev 12/18

### NOTES:

1. System32 ECU enclosure (less mounting flanges) measures 6.5" x 4.9" x 1.2"
2. Circular connector can be mounted directly to firewall of thickness 0.1" or less. Composite firewalls thicker than .1" require installation of a 2.25" square base plate to accept circular connector mounting.
3. One installation includes 2 ECUs. ECUs do not generate heat and can be bolted directly together.
4. An ignition-only installation requires installation of one circular connector. A full EFII system (injection + ignition) requires installation of two circular connectors.

System32 ECU dimensions



AMP CPC  
Circular Bulkhead Connector  
Firewall Penetration Dimensions  
28 pin.

